

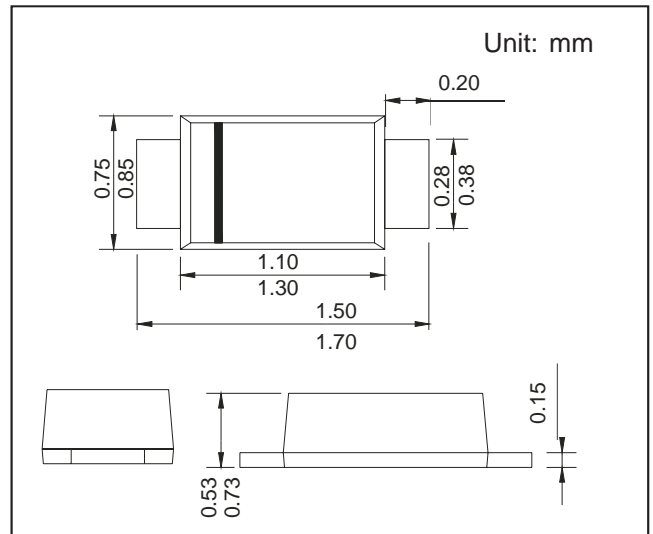
SOD 23 Small Signal Switching Diodes

)(\$ 7 8 5 (6

Fast switching devices
 Low Reverse Current
 Matte Tin (Sn) Lead finish
 Surface Mount Package Ideally Suited for Automatic Insertion
 For General Purpose Switching Applications
 High Conductance

MECHANICAL DATA

Case: SOD-523 Micro SMD package
 Polarity: Color band denotes cathode end
 Mounting Position: Any



MAXIMUM RATINGS AND CHARACTERISTICS

@ 25°C Ambient Temperature (unless otherwise noted)

Symbol	Parameter	Value	Unit
V_{RM}	Non-Repetitive Peak Reverse Voltage	100	V
V_R	Reverse Voltage	75	V
V_{RRM}	Peak Repetitive Reverse Voltage		
V_{RWM}	Working Peak Reverse Voltage		
$V_{R(RMS)}$	RMS Reverse Voltage	53	V
I_O	Average Rectified Output Current	150	mA
I_{FM}	Forward Continuous Current	300	mA
I_{FSM}	Non-repetitive Peak Forward Surge Current@ $t=8.3ms$	2	A
P_D	Power Dissipation	150	mW
R_{JA}	Thermal Resistance from Junction to Ambient	833	/ W
T_j	Junction Temperature	150	/
T_{stg}	Storage Temperature	-55~+150	/

Electrical Specification ($T_A=25^\circ C$ unless otherwise specified)

Parameter	Symbol	Test conditions	Min	Typ	Max	Unit
Reverse voltage	$V_{(BR)}$	$I_R=1\mu A$	75			V
Reverse current	I_R	$V_R=75V$			1	μA
		$V_R=20V$			25	nA
Forward voltage	V_F	$I_F=1mA$			0.715	V
		$I_F=10mA$			0.855	V
		$I_F=50mA$			1	V
		$I_F=150mA$			1.25	V
Total capacitance	C_{tot}	$V_R=0V, f=1MHz$			2	pF
Reverse recovery time	t_{rr}	$I_F=I_R=10mA, I_{rr}=0.1*I_R, R_L=100\Omega$			4	ns

RATINGS AND CHARACTERISTIC CURVES

